

ATTRACTIVE & RUGGED FOR WET & DUSTY ENVIRONMENTS

The rugged P5-D switch is an alternate action “push on, push off” pushbutton switch with contoured dome styling. With two design versions, a flush dome and raised dome button profile, the P5-D offers excellent mechanical and electrical performance while operating under severe conditions found in demanding applications.

The P5-D features unsealed, dusttight, moistureproof and watertight seal options. A mechanical life of one million cycles, 25,000 cycles at full load.

The P5-D is a quality precision, snap-action switch designed for use in panels, instruments and other demanding applications where attractive, rugged pushbutton switches are required.

“Push On, Push Off” action



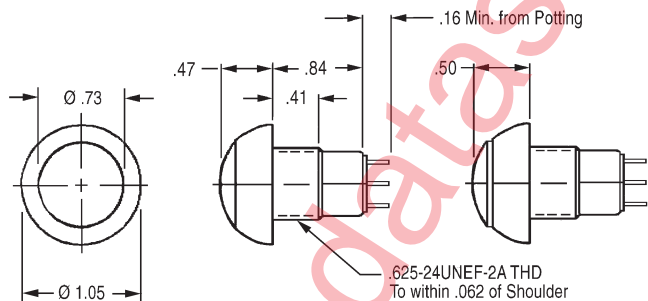
Flush Dome Button



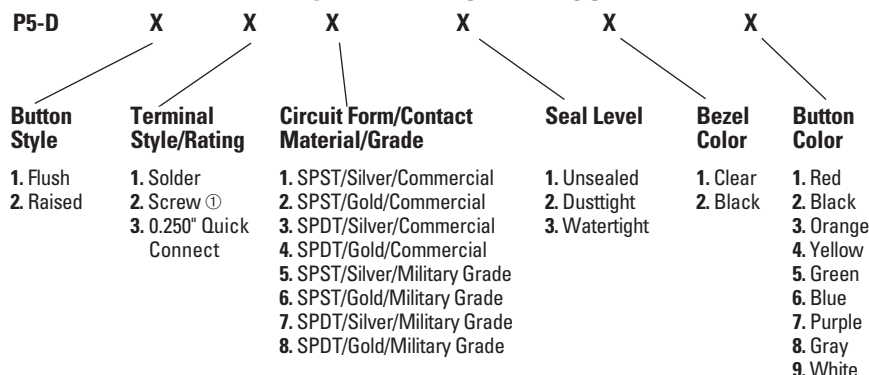
## Features:

- 2 contoured button styles
- Button sealed with patented “rolling sleeve” principle
- Contact area sealed at case & terminals
- Less than 25mΩ contact resistance
- Handles low level up to 10 amps
- Choice of 9 button colors
- Moistureproof & dusttight to IP64 & MIL-PRF-8805 Design 2 or watertight to IP68S options
- Unsealed construction also available
- RoHS/WEEE/Reach compliant

Standard Characteristics/Ratings:	
<b>ELECTRICAL RATINGS:</b>	
<b>Load</b>	Sea Level @ 28VDC or 115VAC, 60/400Hz
Resistive	10A
Inductive	5A
Lamp	1A
Motor	3A
DWV	1050Vrms
<b>Electrical Life:</b>	25,000 cycles
<b>Mechanical Life:</b>	1,000,000 cycles
<b>Seal:</b>	IP64 & MIL-PRF-8805 Design 2 or IP68S
<b>Operating Temp Range:</b>	-55°C to +85°C
<b>Operating Force:</b>	3.0 lbs. +1/-0.5 lb.
<b>Total Travel:</b>	0.180 inches max
<b>Overtravel:</b>	0.012 inches min
<b>MATERIALS:</b>	
<b>Case:</b>	Anodized aluminum alloy
<b>Button:</b>	Thermoplastic
<b>Terminals:</b>	Brass with gold over silver
<b>Terminal Hardware:</b>	Screws, lockwashers and terminal lugs for screw terminal option
<b>Mounting Hardware:</b>	Hex nut, lockwasher



## P5-D PART NUMBER CODE



① Screw terminals available on SPST circuit forms only.