

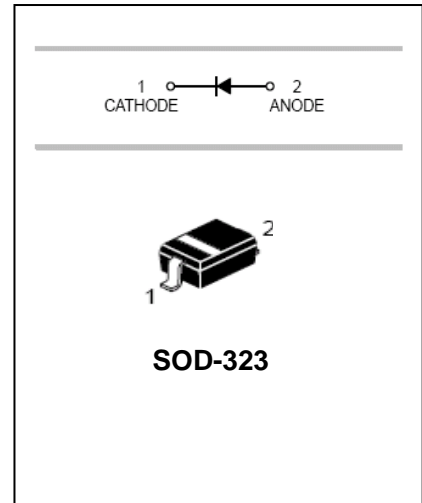
## Silicon Epitaxial Planar Diode **BAV19WS/BAV20WS/BAV21WS**

### FEATURES

- Fast Switching Speed.
- Surface Mount Package Ideally Suited For Automatic Insertion
- For General Purpose Switching Applications
- High Conductance



Lead-free



### APPLICATIONS

- Surface mount fast switching diode

### ORDERING INFORMATION

Type No.	Marking	Package Code
BAV19WS	A8	SOD-323
BAV20WS	T2	SOD-323
BAV21WS	T3	SOD-323

### MAXIMUM RATING @ Ta=25°C unless otherwise specified

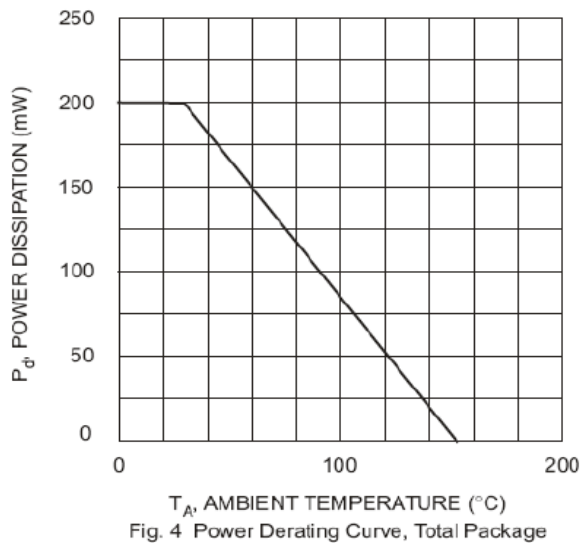
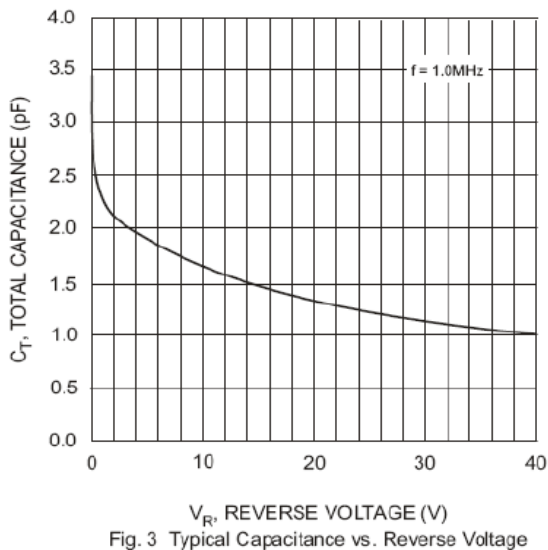
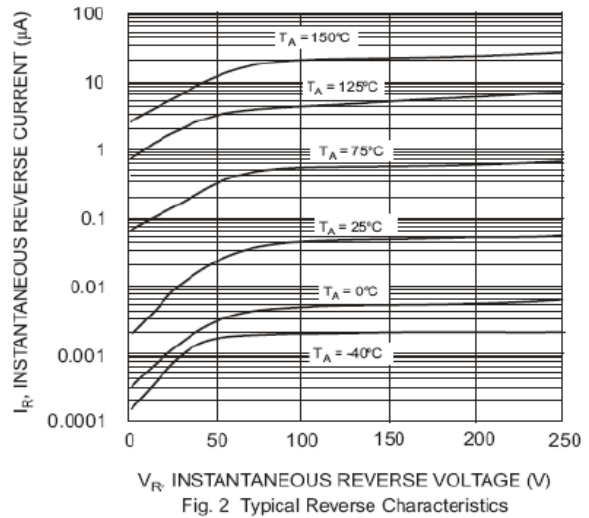
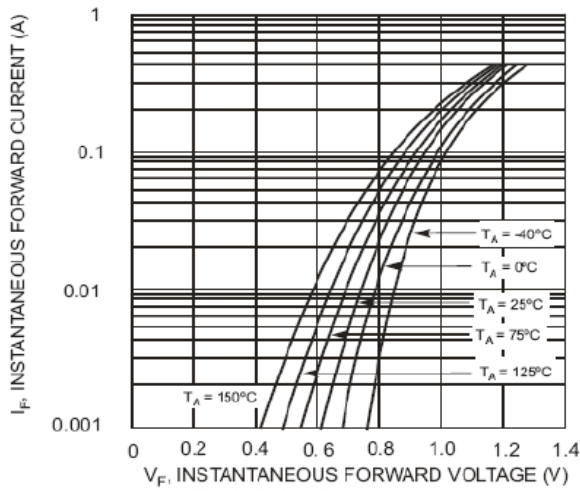
Characteristic	Symbol	BAV19WS	BAV20WS	BAV21WS	Unit
Repetitive Peak Reverse Voltage	$V_{RRM}$	120	200	250	V
Working Peak Reverse Voltage	$V_{RWM}$	100	150	200	V
DC Reverse Voltage	$V_R$				V
RMS Reverse Voltage	$V_{R(RMS)}$	71	106	141	V
Forward Continuous Current	$I_{FM}$	400			mA
Average Rectified Output Current	$I_o$	200			mA
Non-Repetitive Peak Forward Surge Current @t=1.0 $\mu$ s @t=1.0 s	$I_{FSM}$	2.5 0.5			
Repetitive Peak Forward Surge Current	$I_{FRM}$	625			mA
Power Dissipation	$P_d$	200			mW
Thermal Resistance Junction to Ambient Air	$R_{\theta JA}$	625			°C/W
Operating and Storage Temperature Range	$T_j, T_{STG}$	-65 to +150			°C

## Silicon Epitaxial Planar Diode **BAV19WS/BAV20WS/BAV21WS**

ELECTRICAL CHARACTERISTICS @ Ta=25°C unless otherwise specified

Characteristic	Symbol	Min	Max	Unit	Test Condition
Forward Voltage	$V_{FM}$	-	1.0 1.25	V	$I_F=100mA$ $I_F=200mA$
Reverse Current BAV19WS BAV20WS BAV21WS	$I_R$	-	0.1 0.1 0.1	$\mu A$	$V_R=100V$ $V_R=150V$ $V_R=200V$
Capacitance between terminals	$C_T$	-	5	pF	$V_R=0, f=1.0MHz$
Reverse Recovery Time	$t_{rr}$	-	50	ns	$I_F=I_R=30mA,$ $I_{rr}=0.1 \times I_R, R_L=100\Omega$

TYPICAL CHARACTERISTICS @ Ta=25°C unless otherwise specified

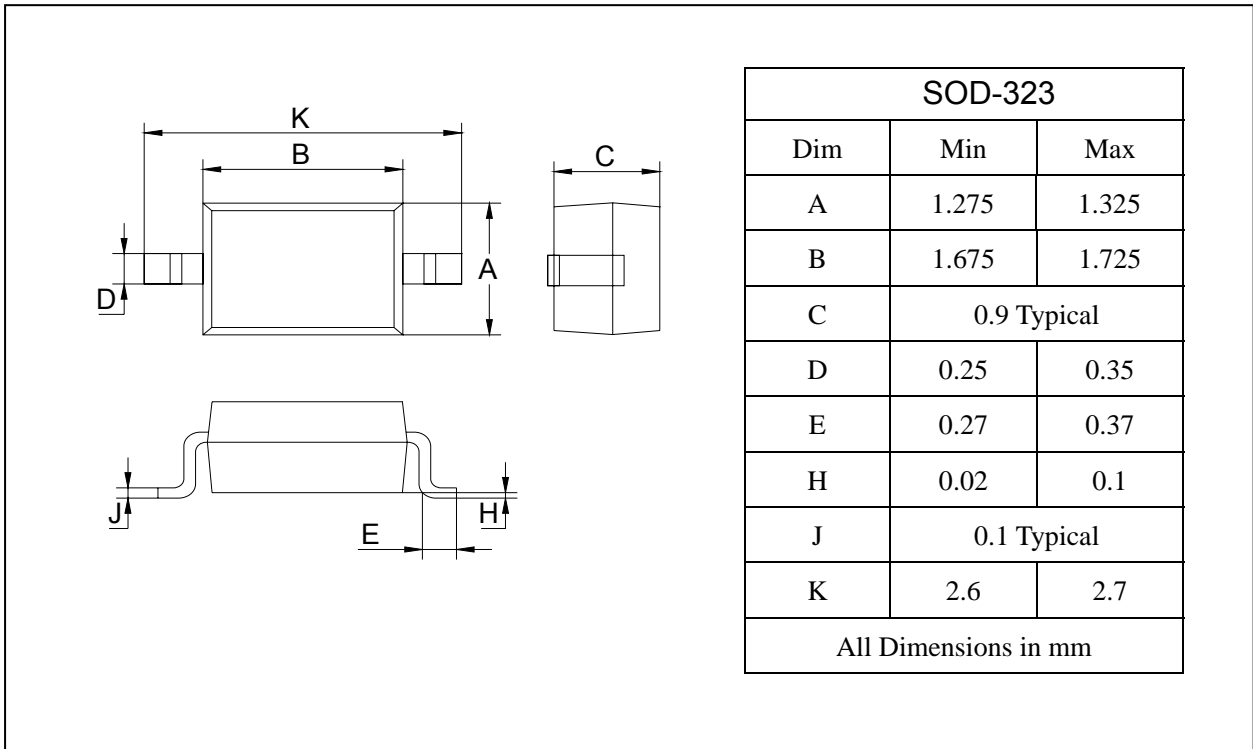


## Silicon Epitaxial Planar Diode **BAV19WS/BAV20WS/BAV21WS**

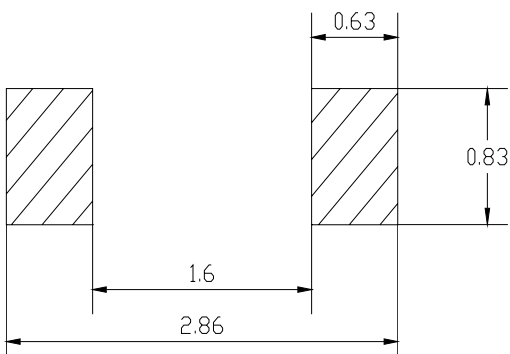
### PACKAGE OUTLINE

Plastic surface mounted package

SOD-323



### SOLDERING FOOTPRINT



Unit : mm

### PACKAGE INFORMATION

Device	Package	Shipping
BAV19WS/20WS/21WS	SOD-323	3000/Tape&Reel