

## Electronic Miniature DC Hour Meter, Series T41



T41D



T41E

### Features

- Solid State Electronics Drive Circuit
- Quartz Crystal for Accurate Timing
- Absolutely Will Not Lose Count
- Quiet Operating
- Indicates Operating Time in Hours and Tenths
- High Impact, Tamperproof Plastic Case
- Totally Sealed
- No Battery Back-Up Required
- UL, cUL, and CE Recognized
- ISO 9001:2008 Certified
- Made in the U.S.A.

ENM's Series T41 DC Hour Meter is the answer to applications requiring a low power, low cost reliable hour meter. This compact tamper proof meter is sealed against the environment to provide years of service.

Accumulated hours are stored in the mechanical indicating counter, therefore no battery is required to maintain elapsed time.

The T41 input is polarity insensitive and with a quartz-crystal time base insures accurate long-term timekeeping.

### Specifications

Display:	6-digits 99,999.9 hours Automatic recycle to zero
Figures:	Hours – white on black Tenths – red on white Height – .125"
Operating Voltage:	Range 10-80 VDC 12-28 VDC
Power Consumption:	Less than .03 Watts at 12 VDC .7 Watts at 28 VDC
Accuracy:	Better than +/- 0.01% over entire range
Temperature:	Standard -30°C to +65°C (-22°F to +149°F) Special -40°C to +85°C (-40°F to +185°F)
Vibration Resistance:	Withstands 10 to 75 Hz @ 1 to 8 g's
Termination:	1/4" male blade terminals
Configuration:	Front panel mounts with push on retaining clip, Panel mount with 2 holes (front or back)

### Standard Features

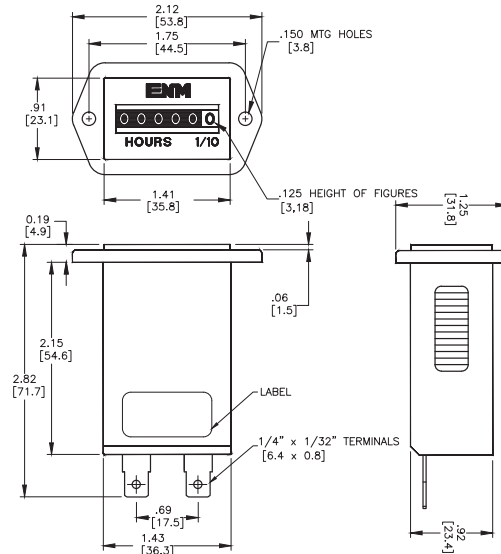
- T41E45 - 10-80VDC Back of Panel Mtg.**
- T41E41 - 12-28VDC Back of Panel Mtg.**
- T41D45 - 10-80VDC Front Panel Mtg.**
- T41D41 - 12-28VDC Front Panel Mtg.**
- T41G45 - 10-80VDC Front Panel Mtg.**
- T41G41 - 12-28VDC Front Panel Mtg.**

Available to facilitate installation are:

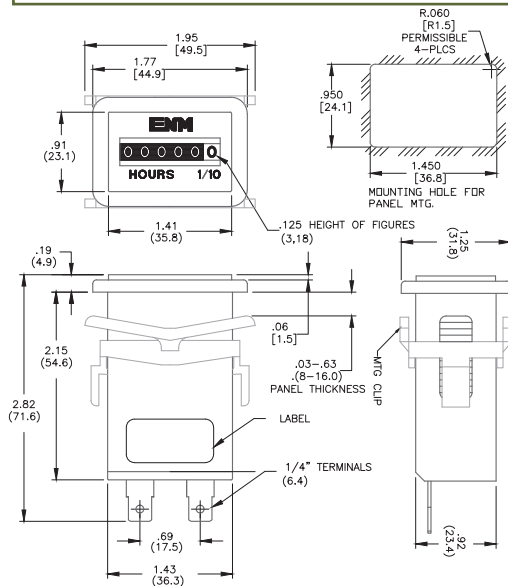
1. Two 12" long wires with insulated quick disconnects.
2. Quick disconnect screw terminal.

(ALL DIMENSIONS IN PARENTHESIS ARE MM.)

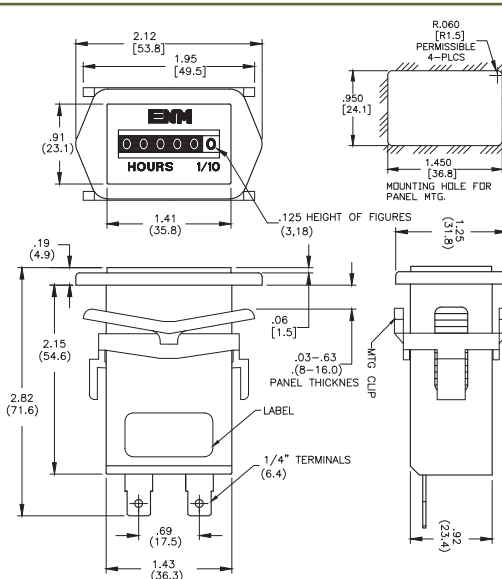
### Series T41E Back of Panel Mount



### Series T41D Front of Panel Mount



### Series T41G Front of Panel Mount



2013 ENM Co.®

#### LIMITED WARRANTY

ENM Company hour meters are warranted to the consumer to be free from defects in material and workmanship for a period of 10,000 operating hours or for a period of 3 years, whichever first occurs. All ENM products which fall within the warranty period due to defects in material or workmanship will be repaired or replaced, at ENM's option, without charge to the consumer when returned with proof of purchase to any authorized ENM dealer in the United States, transportation charges prepaid, provided there is no evidence of improper installation, tampering, or other abuse. All implied warranties, including any implied warranty of merchantability or fitness for a particular purpose, shall be limited in duration to the express warranty period specified above. ENM disclaims any liability for consequential damages due to breach of any written or implied warranty on its hour meter. Datasheet information subject to change.