

1 2 3 4 5 6

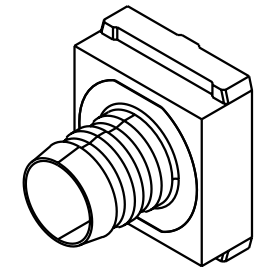
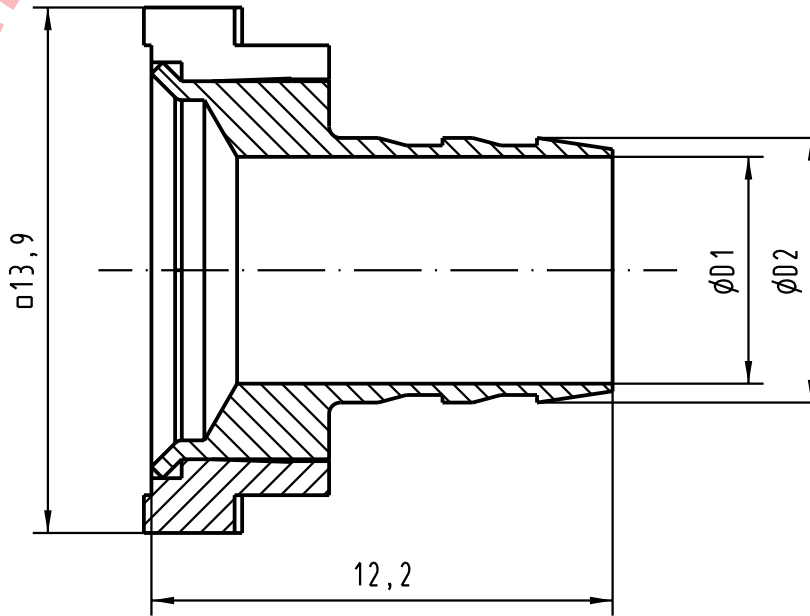
A

B

C

D

61 03 000 0072	9,0	10,0
61 03 000 0165	8,5	9,5
61 03 000 0071	8,0	9,0
61 03 000 0070	7,5	8,5
61 03 000 0069	7,0	8,0
61 03 000 0068	6,5	7,5
61 03 000 0067	6,0	7,0
61 03 000 0166	5,5	6,5
61 03 000 0066	5,0	6,0
61 03 000 0065	4,5	5,5
61 03 000 0064	4,0	5,0
61 03 000 0063	3,5	4,5
61 03 000 0062	3,0	4,0
part-no.	∅D1	∅D2



All Dimensions in mm Original Size DIN A 4		Techn. Character.			Nicht tolerierte Maßel Free size tolerances	
			Dat.	Name	Maßstab/Scale 5:1	InduCom crimp flange to use with hoods for 9...37-pole D-Sub connectors
		Detail.	14.06.04	Hage.		
		Insp.	14.06.04	kfoe.		
		Stand.				
31997		HARTING Electronics GmbH & Co. KG				TB 61 03 000 0zzz
Mod.	Dat.	Name	D-32339 ESPELKAMP			
					Sub.	