

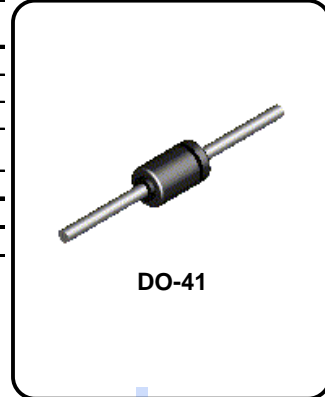
## 1N4728A - 1N4752A Series One Watt Zeners

### Absolute Maximum Ratings\*

TA = 25°C unless otherwise noted

Tolerance: A = 5%

Parameter	Value	Units
Storage Temperature Range	-65 to +200	°C
Maximum Junction Operating Temperature	+ 200	°C
Lead Temperature (1/16" from case for 10 seconds)	+ 230	°C
Total Device Dissipation	1.0	W
Derate above 50°C	6.67	mW/°C
Thermal resistance Junction to Lead	53.5	°C/W
Thermal resistance Junction to Ambient	100	°C/W
Surge Power**	10	W



\*These ratings are limiting values above which the serviceability of the diode may be impaired.

\*\*Non-recurrent square wave PW= 8.3 ms, TA= 55 degrees C.

#### NOTES:

- 1) These ratings are based on a maximum junction temperature of 200 degrees C.
- 2) These are steady state limits. The factory should be consulted on applications involving pulsed or low duty cycle operations.

### Electrical Characteristics

TA = 25°C unless otherwise noted

Device	V <sub>Z</sub> (V)	Z <sub>Z</sub> (Ω)	@	I <sub>ZT</sub> (mA)	Z <sub>ZK</sub> (Ω)	@	I <sub>ZK</sub> (mA)	V <sub>R</sub> (V)	@	I <sub>R</sub> (μA)	I <sub>SURGE</sub> (mA)	I <sub>ZM</sub> (mA)
1N4728A	3.3	10		76	400		1.0	1.0		100	1,380	276
1N4729A	3.6	10		69	400		1.0	1.0		100	1,260	252
1N4730A	3.9	9.0		64	400		1.0	1.0		50	1,190	234
1N4731A	4.3	9.0		58	400		1.0	1.0		10	1,070	217
1N4732A	4.7	8.0		53	500		1.0	1.0		10	970	193
1N4733A	5.1	7.0		49	550		1.0	1.0		10	890	178
1N4734A	5.6	5.0		45	600		1.0	2.0		10	810	162
1N4735A	6.2	2.0		41	700		1.0	3.0		10	730	146
1N4736A	6.8	3.5		37	700		1.0	4.0		10	660	133
1N4737A	7.5	4.0		34	700		0.5	5.0		10	605	121
1N4738A	8.2	4.5		31	700		0.5	6.0		10	550	110
1N4739A	9.1	5.0		28	700		0.5	7.0		10	500	100
1N4740A	10	7.0		25	700		0.25	7.6		10	454	91
1N4741A	11	8.0		23	700		0.25	8.4		5.0	414	83
1N4742A	12	9.0		21	700		0.25	9.1		5.0	380	76
1N4743A	13	10		19	700		0.25	9.9		5.0	344	69
1N4744A	15	14		17	700		0.25	11.4		5.0	304	61
1N4745A	16	16		15.5	700		0.25	12.2		5.0	285	57
1N4746A	18	20		14	750		0.25	13.7		5.0	250	50
1N4747A	20	22		12.5	750		0.25	15.2		5.0	225	45
1N4748A	22	23		11.5	750		0.25	16.7		5.0	205	41
1N4749A	24	25		10.5	750		0.25	18.2		5.0	190	38
1N4750A	27	35		9.5	750		0.25	20.6		5.0	170	34
1N4751A	30	40		8.5	1,000		0.25	22.8		5.0	150	30
1N4752A	33	45		7.5	1,000		0.25	25.1		5.0	135	27

V<sub>F</sub> Forward Voltage = 1.2 V Maximum @ I<sub>F</sub> = 200 mA for all 1N4700 series

## TRADEMARKS

The following are registered and unregistered trademarks Fairchild Semiconductor owns or is authorized to use and is not intended to be an exhaustive list of all such trademarks.

ACEx™	ISOPLANAR™
CoolFET™	MICROWIRE™
CROSSVOLT™	POP™
E <sup>2</sup> CMOS™	PowerTrench™
FACT™	QS™
FACT Quiet Series™	Quiet Series™
FAST®	SuperSOT™-3
FASTr™	SuperSOT™-6
GTO™	SuperSOT™-8
HiSeC™	TinyLogic™

## DISCLAIMER

FAIRCHILD SEMICONDUCTOR RESERVES THE RIGHT TO MAKE CHANGES WITHOUT FURTHER NOTICE TO ANY PRODUCTS HEREIN TO IMPROVE RELIABILITY, FUNCTION OR DESIGN. FAIRCHILD DOES NOT ASSUME ANY LIABILITY ARISING OUT OF THE APPLICATION OR USE OF ANY PRODUCT OR CIRCUIT DESCRIBED HEREIN; NEITHER DOES IT CONVEY ANY LICENSE UNDER ITS PATENT RIGHTS, NOR THE RIGHTS OF OTHERS.

## LIFE SUPPORT POLICY

FAIRCHILD'S PRODUCTS ARE NOT AUTHORIZED FOR USE AS CRITICAL COMPONENTS IN LIFE SUPPORT DEVICES OR SYSTEMS WITHOUT THE EXPRESS WRITTEN APPROVAL OF FAIRCHILD SEMICONDUCTOR CORPORATION. As used herein:

1. Life support devices or systems are devices or systems which, (a) are intended for surgical implant into the body, or (b) support or sustain life, or (c) whose failure to perform when properly used in accordance with instructions for use provided in the labeling, can be reasonably expected to result in significant injury to the user.
2. A critical component is any component of a life support device or system whose failure to perform can be reasonably expected to cause the failure of the life support device or system, or to affect its safety or effectiveness.

## PRODUCT STATUS DEFINITIONS

### Definition of Terms

Datasheet Identification	Product Status	Definition
Advance Information	Formative or In Design	This datasheet contains the design specifications for product development. Specifications may change in any manner without notice.
Preliminary	First Production	This datasheet contains preliminary data, and supplementary data will be published at a later date. Fairchild Semiconductor reserves the right to make changes at any time without notice in order to improve design.
No Identification Needed	Full Production	This datasheet contains final specifications. Fairchild Semiconductor reserves the right to make changes at any time without notice in order to improve design.
Obsolete	Not In Production	This datasheet contains specifications on a product that has been discontinued by Fairchild semiconductor. The datasheet is printed for reference information only.