

SOT-23 Formed SMD Package

**BC846 BC847
BC848**

SILICON PLANAR EPITAXIAL TRANSISTORS

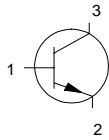
General purpose N-P-N transistors

Marking

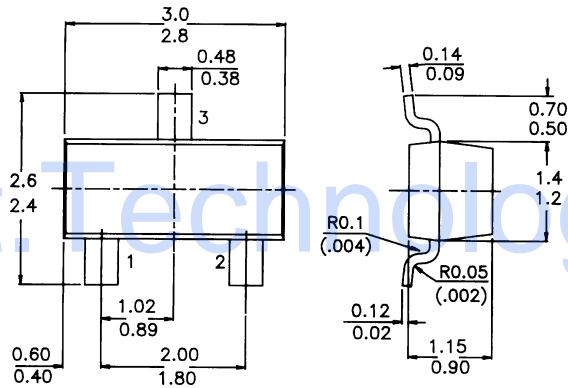
- BC846 = 1D
- BC846A = 1A
- BC846B = 1B
- BC847 = 1H
- BC847A = 1E
- BC847B = 1F
- BC847C = 1G
- BC848 = 1M
- BC848A = 1J
- BC848B = 1K
- BC848C = 1L

Pin configuration

- 1 = BASE
- 2 = EMITTER
- 3 = COLLECTOR



**PACKAGE OUTLINE DETAILS
ALL DIMENSIONS IN mm**



ABSOLUTE MAXIMUM RATINGS

		BC846	BC847	BC848
Collector-emitter voltage ($V_{BE} = 0$)	V_{CES} max.	80	50	30 V
Collector-emitter voltage (open base)	V_{CE0} max.	65	45	30 V
Collector current (peak value)	I_{CM} max.	200	200	200 mA
Total power dissipation up to $T_{amb} = 25^\circ C$	P_{tot} max.	250	250	250 mW
Junction temperature	T_j max.	150	150	150 $^\circ C$
Small-signal current gain	h_{fe}	> 125	125	125
$I_C = 2$ mA; $V_{CE} = 5$ V; $f = 1$ kHz	h_{fe}	< 500	900	900
Transition frequency at $f = 100$ MHz	f_T	> 100	> 100	> 100 MHz
$I_C = 10$ mA; $V_{CE} = 5$ V				
Noise figure at $R_S = 2$ kW	F typ.	2	2	2 dB
$I_C = 200$ mA; $V_{CE} = 5$ V				
$f = 1$ kHz; $B = 200$ Hz				

**BC846 BC847
BC848**

RATINGS (at $T_A = 25^\circ\text{C}$ unless otherwise specified)

Limiting values

	BC846 BC847 BC848		
Collector-base voltage (open emitter)	V_{CBO} max.	80	50 30 V
Collector-emitter voltage ($V_{BE} = 0$)	V_{CES} max.	80	50 30 V
Collector-emitter voltage (open base)	V_{CEO} max.	65	45 30 V
Emitter-base voltage (open collector)	V_{EBO} max.	6	6 5 V
Collector current (d.c.)	I_C max.		100 mA
Collector current (peak value)	I_{CM} max.		200 mA
Emitter current (peak value)	$-I_{EM}$ max.		200 mA
Base current (peak value)	I_{BM} max.		200 mA
Total power dissipation*			
up to T_{amb} : 25°C	P_{tot} max.		250 mW
Storage temperature	T_{stg}		-55 to + 150 $^\circ\text{C}$
Junction temperature	T_j max.		150 $^\circ\text{C}$

THERMAL RESISTANCE

From junction to ambient

$$R_{th\ j-a} = 500\ \text{K/W}$$

CHARACTERISTICS

$T_j = 25^\circ\text{C}$ unless otherwise specified

Collector cut-off current

$$I_E = 0; V_{CB} = 30\ \text{V}$$

$$I_{CBO} < 15\ \text{nA}$$

$$I_E = 0; V_{CB} = 30\ \text{V}; T_j = 150^\circ\text{C}$$

$$I_{CBO} < 5\ \text{mA}$$

Base-emitter voltage

$$I_C = 2\ \text{mA}; V_{CE} = 5\ \text{V}$$

$$V_{BE} \text{ typ. } 660\ \text{mV}$$

$$580\ \text{to } 700\ \text{mV}$$

$$I_C = 10\ \text{mA}; V_{CE} = 5\ \text{V}$$

$$V_{BE} < 770\ \text{mV}$$

Saturation voltage

$$I_C = 10\ \text{mA}; I_B = 0,5\ \text{mA}$$

$$V_{CEsat} \text{ typ. } 90\ \text{mV}$$

$$< 250\ \text{mV}$$

$$V_{BEsat} \text{ typ. } 700\ \text{mV}$$

$$I_C = 100\ \text{mA}; I_B = 5\ \text{mA}$$

$$V_{CEsat} \text{ typ. } 200\ \text{mV}$$

$$< 600\ \text{mV}$$

$$V_{BEsat} \text{ typ. } 900\ \text{mV}$$

Collector capacitance at $f = 1\ \text{MHz}$

$$I_E = I_c = 0; V_{CB} = 10\ \text{V}$$

$$C_c \text{ typ. } 2,5\ \text{pF}$$

Transition frequency at $f = 100\ \text{MHz}$

$$I_C = 10\ \text{mA}; V_{CE} = 5\ \text{V}$$

$$f_T > 100\ \text{MHz}$$

Noise figure at $R_S = 2\ \text{K}\Omega$

$$I_C = 200\ \text{mA}; V_{CE} = 5\ \text{V};$$

$$f = 1\ \text{kHz}; B = 200\ \text{Hz}$$

$$\text{typ. } 2\ \text{dB}$$

$$F < 10\ \text{dB}$$

**BC846 BC847
BC848**

		BC846	BC847 BC848	BC846A BC847A BC848A	BC846B BC847B BC848B	BC847C BC848C
<i>DC current gain</i>						
$I_C = 10 \text{ mA}; V_{CE} = 5 \text{ V}$	h_{FE} <i>typ.</i>			90	150	270
$I_C = 2 \text{ mA}; V_{CE} = 5 \text{ V}$	h_{FE} >	110	110	110	200	420
	<i>typ.</i>			180	290	520
	<	450	800	220	450	800
<i>Small signal current gain at $f = 1 \text{ kHz}$</i>	h_{fe}					
$I_C = 2 \text{ mA}; V_{CE} = 5 \text{ V}$	>	125	125			
	<	500	900			

Disclaimer

The product information and the selection guides facilitate selection of the CDIL's Discrete Semiconductor Device(s) best suited for application in your product(s) as per your requirement. It is recommended that you completely review our Data Sheet(s) so as to confirm that the Device(s) meet functionality parameters for your application. The information furnished on the CDIL Web Site/ CD is believed to be accurate and reliable. CDIL however, does not assume responsibility for inaccuracies or incomplete information. Furthermore, CDIL does not assume liability whatsoever, arising out of the application or use of any CDIL product; neither does it convey any license under its patent rights nor rights of others. These products are not designed for use in life saving/support appliances or systems. CDIL customers selling these products (either as individual Discrete Semiconductor Devices or incorporated in their end products), in any life saving/support appliances or systems or applications do so at their own risk and CDIL will not be responsible for any damages resulting from such sale(s).

CDIL strives for continuous improvement and reserves the right to change the specifications of its products without prior notice.



CDIL is a registered Trademark of
Continental Device India Limited

C-120 Naraina Industrial Area, New Delhi 110 028, India.
Telephone + 91-11-579 6150 Fax + 91-11-579 9569, 579 5290
e-mail sales@cdil.com www.cdil.com