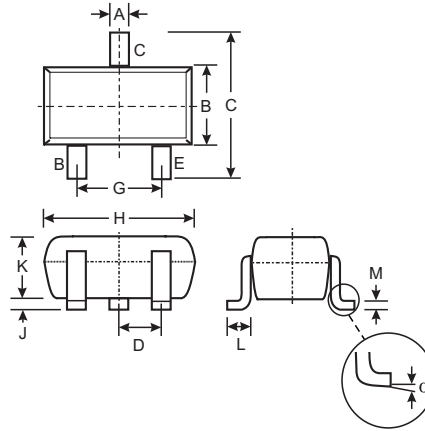


Features

- Ultra Miniature Surface Mount Package
- Complementary NPN Type Available (2DC4617Q,R,S)
- Lead Free/RoHS Compliant (Note 3)

Mechanical Data

- Case: SOT-523
- Case Material: Molded Plastic. UL Flammability Classification Rating 94V-0
- Moisture sensitivity: Level 1 per J-STD-020C
- Terminal Connections: See Diagram
- Lead Free Plating (Matte Tin annealed over Alloy 42 leadframe).
- Marking & Type Code Information (See Last Page):
2DA1774Q: 8A
2DA1774R: 8B
2DA1774S: 8C
- Ordering Information: See Last Page
- Weight: 0.002 grams (approx.)



SOT-523			
Dim	Min	Max	Typ
A	0.15	0.30	0.22
B	0.75	0.85	0.80
C	1.45	1.75	1.60
D	—	—	0.50
G	0.90	1.10	1.00
H	1.50	1.70	1.60
J	0.00	0.10	0.05
K	0.60	0.80	0.75
L	0.10	0.30	0.22
M	0.10	0.20	0.12
N	0.45	0.65	0.50
α	0°	8°	—

All Dimensions in mm

Maximum Ratings @ T_A = 25°C unless otherwise specified

Characteristic	Symbol	2DA1774Q/R/S	Unit
Collector-Base Voltage	V _{CBO}	-60	V
Collector-Emitter Voltage	V _{CEO}	-50	V
Emitter-Base Voltage	V _{EBO}	-6.0	V
Collector Current - Continuous (Note 1)	I _C	150	mA
Power Dissipation (Note 1)	P _d	150	mW

Thermal Characteristics @ T_A = 25°C unless otherwise specified

Characteristic	Symbol	2DA1774Q/R/S	Unit
Thermal Resistance, Junction to Ambient (Note 1)	R _{θJA}	833	°C/W
Operating and Storage and Temperature Range	T _j , T _{STG}	-55 to +150	°C

Electrical Characteristics @ T_A = 25°C unless otherwise specified

Characteristic	Symbol	Min	Max	Unit	Test Condition
OFF CHARACTERISTICS (Note 2)					
Collector-Base Breakdown Voltage	V _{(BR)CBO}	-60	—	V	I _C = -50μA, I _E = 0
Collector-Emitter Breakdown Voltage	V _{(BR)CEO}	-50	—	V	I _C = 1.0μA, I _B = 0
Emitter-Base Breakdown Voltage	V _{(BR)EBO}	-6.0	—	V	I _E = -50μA, I _C = 0
Collector Cutoff Current	I _{CBO}	—	-100	nA	V _{CB} = -60V
Emitter Cutoff Current	I _{EBO}	—	-100	nA	V _{EB} = -6.0V
ON CHARACTERISTICS (Note 2)					
DC Current Gain	2DA1774Q 2DA1774R 2DA1774S h _{FE}	120 180 270	270 390 560	—	V _{CE} = -6.0V, I _C = -1.0mA
Collector-Emitter Saturation Voltage	V _{CE(SAT)}	—	-0.5	V	I _C = -50mA, I _B = -5.0mA
SMALL SIGNAL CHARACTERISTICS					
Output Capacitance	C _{obo}	4.0 Typ.	5.0	pF	V _{CB} = -12V, f = 1.0MHz, I _E = 0
Current Gain-Bandwidth Product	f _T	140 Typ.	—	MHz	V _{CE} = -12V, I _C = -2.0mA, f = 30MHz

- Notes:
1. Part mounted on FR-4 board with recommended pad layout, which can be found on our website at <http://www.diodes.com/datasheets/ap02001.pdf>.
 2. Short duration pulse test used to minimize self-heating effect.
 3. No purposefully added lead.

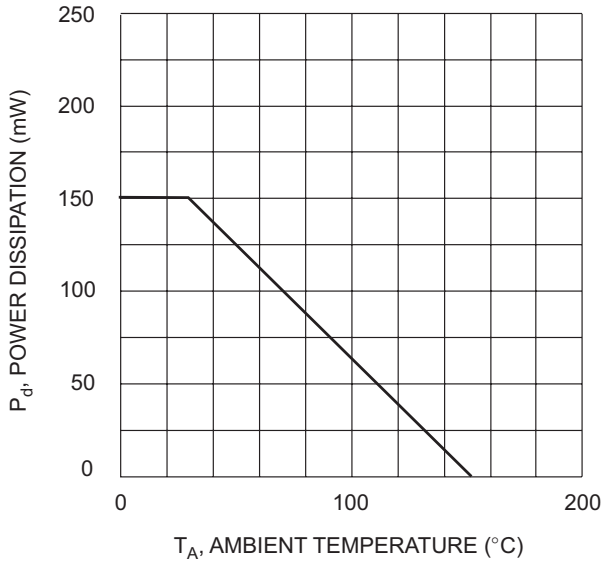


Fig. 1 Power Derating Curve, Total Package

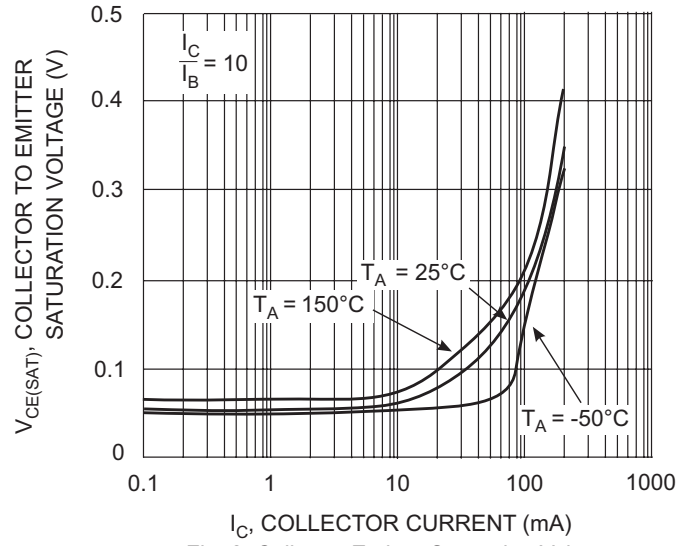


Fig. 2 Collector Emitter Saturation Voltage vs. Collector Current

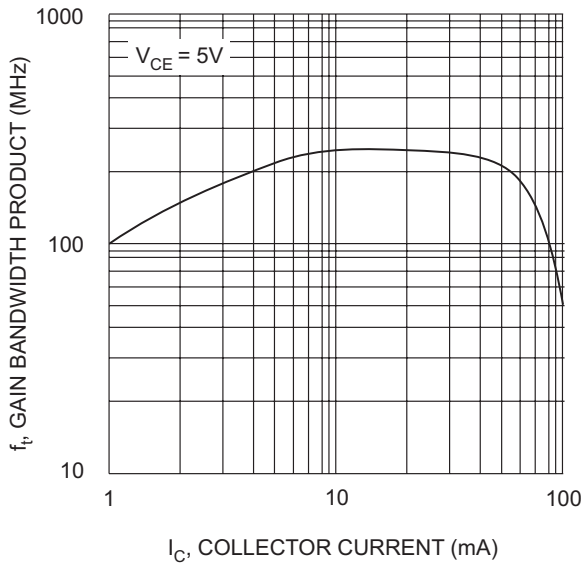
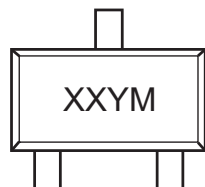


Fig. 3, Gain Bandwidth Product vs Collector Current

Ordering Information (Note 4)

Device	Packaging	Shipping
2DA1774Q-7-F	SOT-523	3000/Tape & Reel
2DA1774R-7-F	SOT-523	3000/Tape & Reel
2DA1774S-7-F	SOT-523	3000/Tape & Reel

Notes: 4. For Packaging Details, go to our website at <http://www.diodes.com/datasheets/ap02007.pdf>.

Marking Information


XX = Product Type Marking Code (See Page 1, e.g. 8A = 2DA1774Q)
 YM = Date Code Marking
 Y = Year (ex: N = 2002)
 M = Month (ex: 9 = September)

Date Code Key

Year	2002	2003	2004	2005	2006	2007	2008	2009
Code	N	P	R	S	T	U	V	W

Month	Jan	Feb	March	Apr	May	Jun	Jul	Aug	Sep	Oct	Nov	Dec
Code	1	2	3	4	5	6	7	8	9	O	N	D

IMPORTANT NOTICE

Diodes, Inc. and its subsidiaries reserve the right to make changes without further notice to any product herein to make corrections, modifications, enhancements, improvements, or other changes. Diodes, Inc. does not assume any liability arising out of the application or use of any product described herein; neither does it convey any license under its patent rights, nor the rights of others. The user of products in such applications shall assume all risks of such use and will agree to hold Diodes Incorporated and all the companies whose products are represented on our website, harmless against all damages.

LIFE SUPPORT

The products located on our website at www.diodes.com are not recommended for use in life support systems where a failure or malfunction of the component may directly threaten life or cause injury without the express written approval of Diodes Incorporated.