

NOTES:

1. MAX ALLOWABLE BOW: .005 INCH/INCH.
2. TERMINAL PUSHOUT FORCE: 2 lbs. MIN.
3. MAX PIN ROTATION IN BODY: 2°.
4. CUT FLASH .010 MAX
5. TUBE POSITIONS 8-50 ONLY. POSITIONS 2-7 TO BE BULK PACKAGED.
6. TUBE VIEWS ARE FOR PLUG LOCATION ONLY, THIS IS NOT AN ILLUSTRATION FOR PART ORIENTATION.

CRITICAL DIMENSION INSPECTION TABLE	
ASSEMBLY OPERATION	IN-PROCESS INSPECTION
FILL	*C1
FILL/POLARIZE	*C1
2ND PRESS	*C1

\*WHERE APPLICABLE

DIMENSIONS ARE IN INCHES		TOLERANCES ARE:	
ONE PLACE DECIMALS ± .1	THREE PLACE DECIMALS ± .005	ANGLES ± 2°	
TWO PLACE DECIMALS ± .01	FOUR PLACE DECIMALS ± .0020		

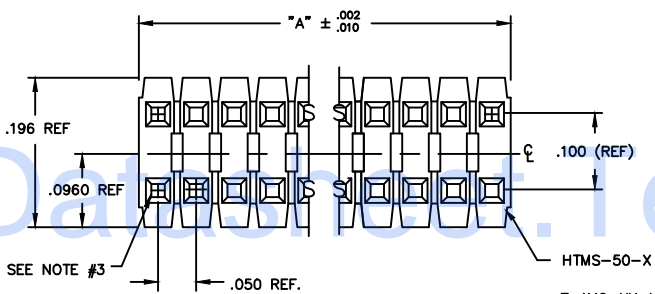
TITLE: **TERMINAL MICRO STRIP**  
 DWG NO: **TMS-1XX-XX-XX-X-XX-XXX**  
 SHEET 1 OF 1

**TMS-1XX-XX-XX-X-XX-XXX**

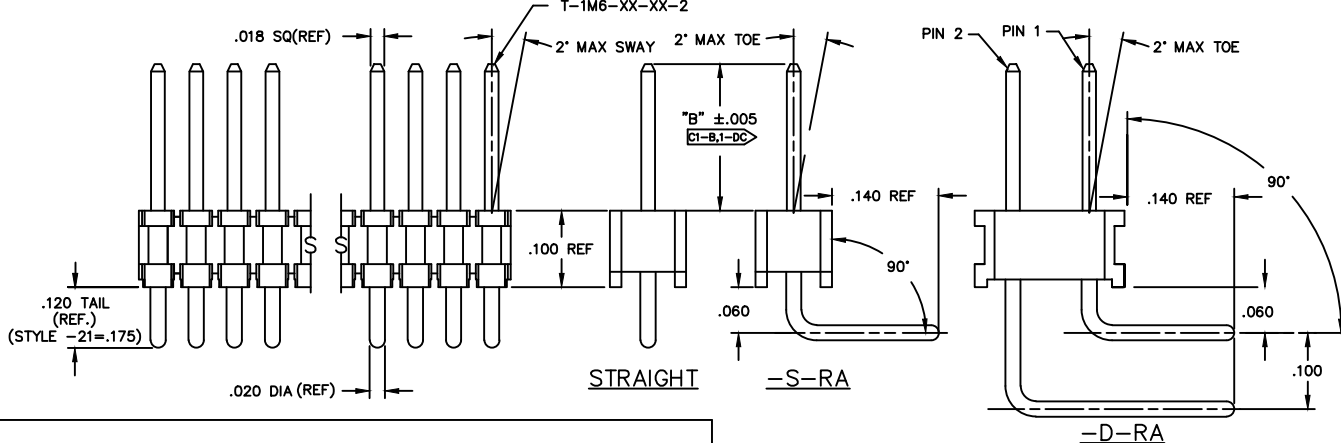
OPTION  
 -POLARIZING SPECIFICATION  
 XXX INDICATES POS. TO BE OMITTED  
 (SEE FIG. 1)

OPTION  
 -RA: RIGHT ANGLE (SEE TABLE 1)  
 (SINGLE & DOUBLE RA AVAILABLE IN STYLE -01, -02, & -03 ONLY)

BODY SPECIFICATION  
 -S: SINGLE (USE HTMS-50-S)  
 -D: DOUBLE (USE HTMS-50-D)

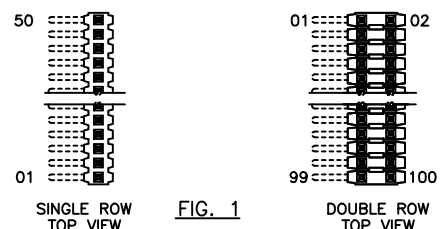


PLATING SPECIFICATION  
 -G: 10µ" GOLD IN CONTACT AREA, 10µ" GOLD ON TAIL  
 -T: MATTE TIN CONTACT AND TAIL  
 ONLY AVAILABLE ON LEAD STYLES -01, -02, -51 AND -52.  
 -S: 30µ" SELECTIVE GOLD IN CONTACT AREA, MATTE TIN ON TAIL  
 -F: 3µ" FLASH GOLD IN CONTACT AREA, MATTE TIN ON TAIL  
 -H: 30µ" HEAVY GOLD IN CONTACT AREA, 3µ" GOLD ON TAIL  
 -FM: 3µ" SELECTIVE FLASH GOLD IN CONTACT AREA, MATTE TIN ON TAIL  
 -SM: 30µ" SELECTIVE GOLD IN CONTACT AREA, MATTE TIN ON TAIL  
 -TM: MATTE TIN CONTACT AND TAIL  
 ONLY AVAILABLE ON LEAD STYLES -01, -02, -51 AND -52.  
 -L: 10µ" LIGHT SELECTIVE GOLD IN CONTACT AREA, MATTE TIN ON TAIL



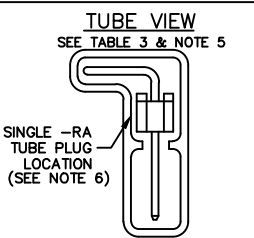
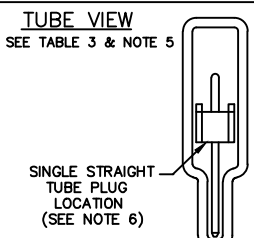
LENGTH	"L"	CONTACT AREA
-01	.440	.140
-02	.410	.140
-03	.610	.190
-04	.505	.190
-05	.705	.190
-12	.425	.165
-13	.625	.190
-14	.555	.190
-15	.755	.190
-16	.825	.190
-17	.320	.060
-18	.450	.190
-19	.650	.190
-21	.505	.190
-25	.330	.060
-26	.373	.075
-27	.398	.100
-28	1.050	.190

\* REF FOR PIN LENGTH



BODY STYLE	LEAD STYLE	TUBE	PLUG		
TMS-DOUBLE STRAIGHT STYLES	-01,-21, -51,-52	PT-1-24-01-22	TP-03		
	-02	PT-1-24-01-95	TP-03		
	-53	PT-1-24-02-66	TP-03		
	-55,-56	PT-1-24-01-29	TP-24		
	-54	PT-1-24-02-46	TP-03		
	-57	PT-1-24-02-25	TP-03		
	-58,-59	PT-1-24-16-29	TP-07		
	-60	PT-1-24-18-29	TP-07		
	TMS-SINGLE STRAIGHT STYLES	-01	PT-1-24-01-24	TP-24	
		-21	PT-1-24-02-29	TP-24	
-58,-59,-60		PT-1-24-10-03	TP-33		
-02		PT-1-24-01-12	TP-12		
-51,-52		PT-1-24-01-66	TP-24		
-53,-54, -55,-56		PT-1-24-02-03	TP-24		
-57		PT-1-24-01-46	TP-24		
TMS-DOUBLE RIGHT ANGLE		-01,-02,-03	PT-1-24-02-66	TP-03	
		TMS-SINGLE RIGHT ANGLE	-01,-02,-03	PT-1-24-01-66	TP-24

STRAIGHT OPTION		RIGHT ANGLE OPTION			'B'
LEAD STYLE	TERMINAL SPEC.	LEAD STYLE	PIN #1	PIN #2	
-01	T-1M6-18-XX-2	-01	T-1M6-14-XX-2	T-1M6-15-XX-2	.230
-02	T-1M6-17-XX-2	-02	T-1M6-12-XX-2	T-1M6-13-XX-2	.100
-03	N/A	-03	T-1M6-16-XX-2	T-1M6-18-XX-2	.125
-21	T-1M6-21-XX-2	-21	N/A	N/A	.230
-51	T-1M6-02-XX-2	-51	N/A	N/A	.190
-52	T-1M6-12-XX-2	-52	N/A	N/A	.205
-53	T-1M6-04-XX-2	-53	N/A	N/A	.285
-54	T-1M6-14-XX-2	-54	N/A	N/A	.335
-55	T-1M6-03-XX-2	-55	N/A	N/A	.390
-56	T-1M6-13-XX-2	-56	N/A	N/A	.405
-57	T-1M6-19-XX-2	-57	N/A	N/A	.430
-58	T-1M6-05-XX-2	-58	N/A	N/A	.485
-59	T-1M6-15-XX-2	-59	N/A	N/A	.535
-60	T-1M6-16-XX-2	-60	N/A	N/A	.605



**PROPRIETARY NOTE**  
 THIS DOCUMENT CONTAINS INFORMATION CONFIDENTIAL AND PROPRIETARY TO SAMTEC INC. AND SHALL NOT BE REPRODUCED OR TRANSMITTED IN ANY FORM OR BY ANY MEANS, ELECTRONIC OR MECHANICAL, INCLUDING PHOTOCOPYING, RECORDING, OR BY ANY INFORMATION STORAGE AND RETRIEVAL SYSTEM, WITHOUT THE EXPRESS WRITTEN CONSENT OF SAMTEC INC.

MATERIAL:  
 BODY:  
 LIQUID CRYSTAL POLYMER  
 COLOR: BLACK  
 TERMINAL:  
 PHOSPHOR BRONZE

TMS-1XX-XX-XX-X-XX-XXX

MISC/WKT

520 PARK EAST BLVD. NEW ALBANY, INDIANA 47151-1147  
 PHONE (812) 944-6733 P.O. BOX 1147  
 CODE 55322

MADE BY: PURVIS 8-13-87  
 CHECKED BY: WILLIAMS 10-21-87

DWG NO: **TMS-1XX-XX-XX-X-XX-XXX**  
 SHEET 1 OF 1