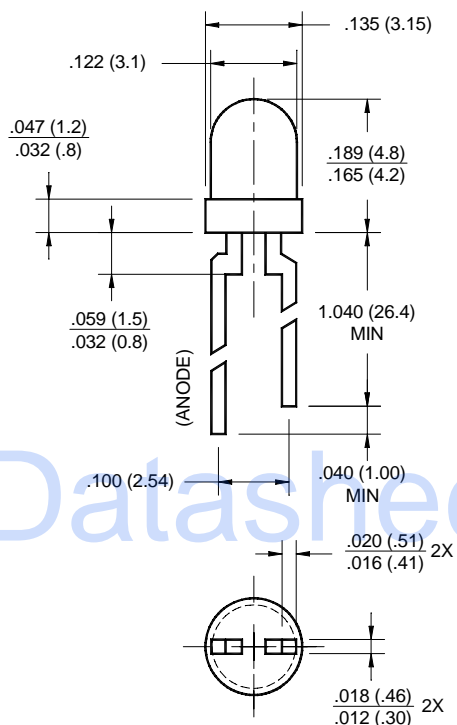


HER
YELLOW
GREEN

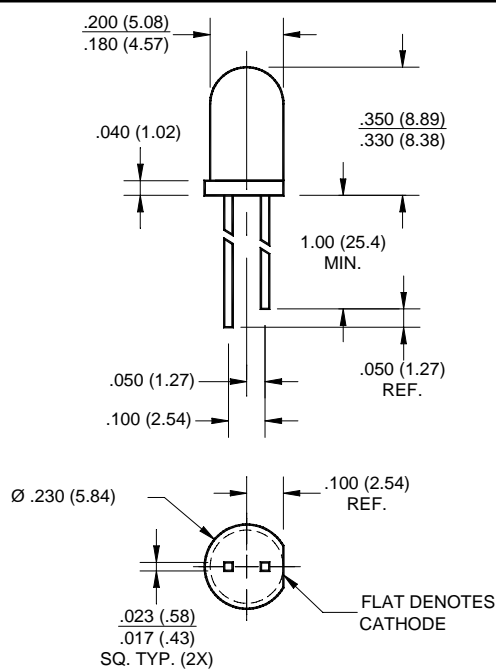
HLMP-1700
HLMP-1719
HLMP-1790

HLMP-4700
HLMP-4719
HLMP-4740 (MV2454)

PACKAGE DIMENSIONS



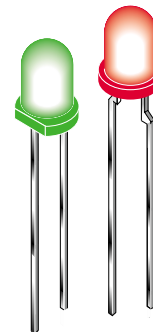
HLMP-17XX



HLMP-47XX

FEATURES

- Low power consumption (low current drive at 2mA)
- Solid state reliability
- Tinted and diffused



DESCRIPTION

The T-1 3/4 HLMP-47XX series and T-100 HLMP-17XX series are tinted diffused, providing a moderate viewing angle. These parts are optimized for low current and are brighter than the standard LED lamps operated at very low current.

NOTES:

1. ALL DIMENSIONS ARE IN INCHES (mm).
2. TOLERANCE ARE $\pm .010$ " UNLESS OTHERWISE SPECIFIED.
3. AN EPOXY MENISCUS MAY EXTEND ABOUT .040"(1 mm) DOWN THE LEADS.

ABSOLUTE MAXIMUM RATING (T_A =25°C)

Parameter	HER	YELLOW	GREEN	UNITS
Power Dissipation (derated from 92°C at 1mA/°C)	27	24	27	mW
Peak Forward Current (PW ≤ 1 ms, DF ≤ 30 %)	25	20	25	mA
Continuous Forward Current	7.5	7.5	7.5	mA
Lead Soldering Time at 260° C	5	5	5	sec
Reverse Breakdown Voltage (V)	5	5	5	I _R = 100μA
Operating Temperature	-55 to +100	-55 to +100	-55 to +100	°C
Storage Temperature	-55 to +100	-55 to +100	-55 to +100	°C

ELECTRICAL / OPTICAL CHARACTERISTICS (T_A =25°C)

Parameter	HER HLMP-1700/4700	YELLOW HLMP-1719/4719	GREEN HLMP-1790/4740 (MV2454)	Condition
Luminous Intensity (mcd)				I _F = 2mA
Minimum	1.0/1.2	1.0/1.2	1.0/1.2	
Typical	2.0/2.0	2.0/2.0	2.0/3.0	
Forward Voltage (V)				I _F = 2mA
Maximum	2.2	2.7	2.7	
Typical	1.8	1.9	1.9	
Peak Wavelength (nm)	635	585	565	I _F = 2mA
Spectral Line Half Width	45	35	30	I _F = 2mA
Viewing Angle (°)	50/35	50/35	50/35	I _F = 2mA

DISCLAIMER

FAIRCHILD SEMICONDUCTOR RESERVES THE THE RIGHT TO MAKE CHANGES WITHOUT FURTHER NOTICE TO ANY PRODUCTS HEREIN TO IMPROVE RELIABILITY, FUNCTION OR DESIGN. FAIRCHILD DOES NOT ASSUME ANY LIABILITY ARISING OUT OF THE APPLICATION OR USE OF ANY PRODUCT OR CIRCUIT DESCRIBED HEREIN; NEITHER DOES IT CONVEY ANY LICENSE UNDER ITS PATENT RIGHTS, NOR THE RIGHTS OF OTHERS.

LIFE SUPPORT POLICY

FAIRCHILD'S PRODUCTS ARE NOT AUTHORIZED FOR USE AS CRITICAL COMPONENTS IN LIFE SUPPORT DEVICES OR SYSTEMS WITHOUT THE EXPRESS WRITTEN APPROVAL OF THE PRESIDENT OF FAIRCHILD SEMICONDUCTOR CORPORATION. As used herein:

1. Life support devices or systems are devices or systems which, (a) are intended for surgical implant into the body, or (b) support or sustain life, and (c) whose failure to perform when properly used in accordance with instructions for use provided in labeling, can be reasonably expected to result in a significant injury of the user.
2. A critical component in any component of a life support device or system whose failure to perform can be reasonably expected to cause the failure of the life support device or system, or to affect its safety or effectiveness.

Fairchild Semiconductor

SEARCH | [Parametric](#) | [Cross Reference](#) | [Inventory](#)

[space](#)

[Product Folders and](#)

[Applies](#)

[find products](#)

[Home >> Find products >>](#)

[Products groups](#)

[Analog and Mixed](#)

[Signal](#)

[Discrete](#)

[Interface](#)

[Logic](#)

[Microcontrollers](#)

[Non-Volatile](#)

[Memory](#)

[Optoelectronics](#)

[Markets and applications](#)

[New products](#)

[Product selection and parametric search](#)

[Cross-reference search](#)

HLMP-1700

High Efficiency Red Right Angle T-100 (3 mm) Diffused

Contents

[General description](#) | [Features](#) | [Testing conditions](#) | [Product status/pricing/packaging](#)

General description

The T-1 3/4 HLMP-47XX series and T-100 HLMP-17XX series are tinted diffused, providing a moderate viewing angle. These parts are optimized for low current and are brighter than the standard LED lamps operated at very low current.

Datasheet

[Download this datasheet](#)

[PDF](#)

[e-mail this datasheet](#)

[\[E-\]](#)

This page

[Print version](#)

Related Links

[Request samples](#)

[Dotted line](#)

[How to order products](#)

[Dotted line](#)

[Product Change Notices](#)

[\(PCNs\)](#)

[Dotted line](#)

[Support](#)

[Dotted line](#)

[Distributor and field sales](#)

[representatives](#)

[Dotted line](#)

[Quality and reliability](#)

[Dotted line](#)

[Design tools](#)

[technical information](#)

[buy products](#)

[technical support](#)

[my Fairchild](#)

[company](#)

[back to top](#)

Features

- Low power consumption (low current drive at 2 mA)
- Solid state reliability
- Tinted and diffused

[back to top](#)

Testing conditions

- $V_F @ I_F = 2 \text{ mA}; I_V @ I_F = 2 \text{ mA}$

[back to top](#)

Product status/pricing/packaging

Product	Product status	Pricing*	Inventory check & ordering	Package type	Packing method
HLMP-1700.C1R0	Full Production	N/A	Purchase	T-100	BOX
HLMP-1700.C3A0	Full Production	N/A	Purchase	T-100	BOX
HLMP-1700.D4A0	Full Production	\$0.058	Purchase	T-100	BOX
HLMP-1700.D4R1	Full Production	N/A	Purchase	T-100	BOX
HLMP-1700.D6R0	Full Production	\$0.058	Purchase	T-100	BOX
HLMP-1700.MP4B	Full Production	\$0.141	Purchase	T-100, Right Angle	BOX
HLMP-1700	Full Production	\$0.051	Purchase	T-100	BOX
HLMP-1700.C1A0	Full Production	\$0.058	Purchase	T-100	BOX
HLMP-1700.D4R0	Full Production	\$0.058	Purchase	T-100	BOX
HLMP-1700.C6R0	Full Production	\$0.058	Purchase	T-100	BOX
HLMP-1700.MP4BS	Full Production	N/A	Purchase	T-100, Right Angle	BOX
HLMP-1700.C6A0	Full Production	\$0.058	Purchase	T-100	BOX
HLMP-1700.C5A0	Full Production	\$0.058	Purchase	T-100	BOX
HLMP-1700.C4A0	Full Production	\$0.058	Purchase	T-100	BOX
HLMP-1700.C4R2	Full Production	N/A	Purchase	T-100	BOX
HLMP-1700.C3R0	Full Production	\$0.058	Purchase	T-100	BOX
HLMP-1700.C2R0	Full Production	\$0.058	Purchase	T-100	BOX
HLMP-1700.C4R0	Full Production	\$0.058	Purchase	T-100	BOX
HLMP-1700.MP4A	Full Production	\$0.141	Purchase	T-100, Right Angle	BOX
HLMP-1700.C5R0	Full Production	\$0.058	Purchase	T-100	BOX

* Fairchild 1,000 piece Budgetary Pricing

[back to top](#)

[Home](#) | [Find products](#) | [Technical information](#) | [Buy products](#) | [Support](#) | [Company](#) | [Contact us](#) | [Site index](#) | [Privacy policy](#)

© Copyright 2002 Fairchild Semiconductor

Fairchild Semiconductor

SEARCH | [Parametric](#) | [Cross Reference](#) | [Inventory](#)

[space](#)

[Product Folders and](#)

[Applies](#)

find products

[Home](#) >> [Find products](#) >>

[Products groups](#)

[Analog and Mixed](#)

[Signal](#)

[Discrete](#)

[Interface](#)

[Logic](#)

[Microcontrollers](#)

[Non-Volatile](#)

[Memory](#)

[Optoelectronics](#)

[Markets and applications](#)

[New products](#)

[Product selection and parametric search](#)

[Cross-reference search](#)

HLMP-1719

Yellow Right Angle T-100 (3 mm) Diffused

Contents

[General description](#) | [Features](#) | [Testing conditions](#) | [Product status/pricing/packaging](#)

General description

The T-1 3/4 HLMP-47XX series and T-100 HLMP-17XX series are tinted diffused, providing a moderate viewing angle. These parts are optimized for low current and are brighter than the standard LED lamps operated at very low current.

[back to top](#)

Features

- Low power consumption (low current drive at 2 mA)
- Solid state reliability
- Tinted and diffused

[back to top](#)

Testing conditions

- $V_F @ I_F = 2 \text{ mA}; I_V @ I_F = 2 \text{ mA}$

[back to top](#)

[Product status/pricing/packaging](#)

[Related Links](#)

[Request samples](#)

[How to order products](#)

[Product Change Notices \(PCNs\)](#)

[Support](#)

[Distributor and field sales representatives](#)

[Quality and reliability](#)

[Design tools](#)

Datasheet

[Download this datasheet](#)

PDF

[e-mail this datasheet](#)

[E-]

This page

[Print version](#)

Product	Product status	Pricing*	Inventory check & ordering	Package type	Packing method
HLMP-1719	Full Production	\$0.051	Purchase	T-100	BOX
HLMP-1719.C3A0	Full Production	\$0.058	Purchase	T-100	BOX
HLMP-1719.D4A0	Full Production	\$0.058	Purchase	T-100	BOX
HLMP-1719.C6R1	Full Production	N/A	Purchase	T-100	BOX
HLMP-1719.C6A0	Full Production	\$0.058	Purchase	T-100	BOX
HLMP-1719.MP4B	Full Production	\$0.141	Purchase	T-100, Right Angle	BOX
HLMP-1719.C4R0	Full Production	N/A	Purchase	T-100	BOX
HLMP-1719.C2R0	Full Production	\$0.058	Purchase	T-100	BOX
HLMP-1719.C5A0	Full Production	\$0.058	Purchase	T-100	BOX
HLMP-1719.C6R0	Full Production	\$0.058	Purchase	T-100	BOX
HLMP-1719.MP4BS	Full Production	N/A	Purchase	T-100, Right Angle	BOX
HLMP-1719.MP4A	Full Production	\$0.141	Purchase	T-100, Right Angle	BOX

* Fairchild 1,000 piece Budgetary Pricing

[back to top](#)

[Home](#) | [Find products](#) | [Technical information](#) | [Buy products](#) | [Support](#) | [Company](#) | [Contact us](#) | [Site index](#) | [Privacy policy](#)

© Copyright 2002 Fairchild Semiconductor

Fairchild Semiconductor

SEARCH | [Parametric](#) | [Cross Reference](#) | [Inventory](#)

[space](#)

[Product Folders and](#)

[Applies](#)

[find products](#)

[Home >> Find products >>](#)

[Products groups](#)

[Analog and Mixed](#)

[Signal](#)

[Discrete](#)

[Interface](#)

[Logic](#)

[Microcontrollers](#)

[Non-Volatile](#)

[Memory](#)

[Optoelectronics](#)

[Markets and applications](#)

[New products](#)

[Product selection and parametric search](#)

[Cross-reference search](#)

HLMP-1790

Green Right Angle T-100 (3 mm) Diffused

Contents

[General description](#) | [Features](#) | [Testing conditions](#) | [Product status/pricing/packaging](#)

General description

The T-1 3/4 HLMP-47XX series and T-100 HLMP-17XX series are tinted diffused, providing a moderate viewing angle. These parts are optimized for low current and are brighter than the standard LED lamps operated at very low current.

[back to top](#)

Features

- Low power consumption (low current drive at 2 mA)
- Solid state reliability
- Tinted and diffused

[back to top](#)

Testing conditions

- $V_F @ I_F = 2 \text{ mA}; I_V @ I_F = 2 \text{ mA}$

[back to top](#)

[Product status/pricing/packaging](#)

[Related Links](#)

[Request samples](#)

[How to order products](#)

[Product Change Notices \(PCNs\)](#)

[Support](#)

[Distributor and field sales representatives](#)

[Quality and reliability](#)

[Design tools](#)

Datasheet

[Download this datasheet](#)

PDF

[e-mail this datasheet](#)

[E-]

This page

[Print version](#)

Product	Product status	Pricing*	Inventory check & ordering	Package type	Packing method
HLMP-1790.C1A0	Full Production	\$0.058	Purchase	T-100	BOX
HLMP-1790.C3A0	Full Production	N/A	Purchase	T-100	BOX
HLMP-1790.C4R0	Full Production	\$0.058	Purchase	T-100	BOX
HLMP-1790.MP4A	Full Production	\$0.141	Purchase	T-100, Right Angle	BOX
HLMP-1790.C6R1	Full Production	N/A	Purchase	T-100	BOX
HLMP-1790.D4A0	Full Production	\$0.058	Purchase	T-100	BOX
HLMP-1790.C6A0	Full Production	\$0.058	Purchase	T-100	BOX
HLMP-1790.C5A0	Full Production	\$0.058	Purchase	T-100	BOX
HLMP-1790.C1R0	Full Production	\$0.058	Purchase	T-100	BOX
HLMP-1790	Full Production	\$0.051	Purchase	T-100	BOX
HLMP-1790.C2R0	Full Production	\$0.058	Purchase	T-100	BOX
HLMP-1790.C3R0	Full Production	\$0.058	Purchase	T-100	BOX
HLMP-1790.C5A1	Full Production	N/A	Purchase	T-100	BOX
HLMP-1790.C6R0	Full Production	\$0.058	Purchase	T-100	BOX
HLMP-1790.D4R0	Full Production	\$0.058	Purchase	T-100	BOX
HLMP-1790.MP4B	Full Production	\$0.141	Purchase	T-100, Right Angle	BOX
HLMP-1790.MP4BS	Full Production	N/A	Purchase	T-100, Right Angle	BOX

* Fairchild 1,000 piece Budgetary Pricing

[back to top](#)

[Home](#) | [Find products](#) | [Technical information](#) | [Buy products](#) | [Support](#) | [Company](#) | [Contact us](#) | [Site index](#) | [Privacy policy](#)

© Copyright 2002 Fairchild Semiconductor

Fairchild Semiconductor

SEARCH | [Parametric](#) | [Cross Reference](#) | [Inventory](#)
[space](#) [Product Folders and](#) [Applie](#)

[find products](#) [Home >> Find products >>](#)

- [Products groups](#)
- [Analog and Mixed](#)
- [Signal](#)
- [Discrete](#)
- [Interface](#)
- [Logic](#)
- [Microcontrollers](#)
- [Non-Volatile](#)
- [Memory](#)
- [Optoelectronics](#)
- [Markets and applications](#)
- [New products](#)
- [Product selection and parametric search](#)
- [Cross-reference search](#)

HLMP-4700
Super Red Super Bright AllnGaP T-1 3/4 (5 mm) Low Current LED Lamp - Tinted & Diffused

Contents
[General description](#) | [Features](#) | [Testing conditions](#) | [Product status/pricing/packaging](#)

General description

The T-1 3/4 HLMP-47XX series and T-100 HLMP-17XX series are tinted diffused, providing a moderate viewing angle. These parts are optimized for low current and are brighter than the standard LED lamps operated at very low current.

Datasheet
[Download this datasheet](#)
[PDF](#)

[e-mail this datasheet](#)
[\[E-\]](#)

This page
[Print version](#)

- [Related Links](#)
- [Request samples](#)
 - [How to order products](#)
 - [Product Change Notices \(PCNs\)](#)
 - [Support](#)
 - [Distributor and field sales representatives](#)
 - [Quality and reliability](#)
 - [Design tools](#)

- [technical information](#)
- [buy products](#)
- [technical support](#)
- [my Fairchild](#)
- [company](#)

[back to top](#)

Features

- Low power consumption (low current drive at 2 mA)
- Solid state reliability
- Tinted and diffused

[back to top](#)

Testing conditions

- $V_F @ I_F = 2 \text{ mA}; I_V @ I_F = 2 \text{ mA}$

[back to top](#)

Product status/pricing/packaging

Product	Product status	Pricing*	Inventory check & ordering	Package type	Packing method
HLMP-47009.MP97	Full Production	\$0.316	Purchase	T-1 3/4	BOX
HLMP-4700.B5R0	Full Production	\$0.058	Purchase	T-1 3/4	BOX
HLMP-47009.MP5	Full Production	\$0.149	Purchase	T-1 3/4	BOX
HLMP-47009.MP7	Full Production	\$0.149	Purchase	T-1 3/4	BOX
HLMP-4700.A1A0	Full Production	\$0.058	Purchase	T-1 3/4	BOX
HLMP-4700.A2A0	Full Production	\$0.058	Purchase	T-1 3/4	BOX
HLMP-4700.A2R0	Full Production	\$0.058	Purchase	T-1 3/4	BOX
HLMP-4700.A6A0	Full Production	\$0.058	Purchase	T-1 3/4	BOX
HLMP-4700.A4A0	Full Production	\$0.058	Purchase	T-1 3/4	BOX
HLMP-47009.MP8B	Full Production	\$0.62	Purchase	T-1 3/4	BOX
HLMP-47009.MP8A	Full Production	\$0.62	Purchase	T-1 3/4	BOX
HLMP-47009.MP8	Full Production	\$0.62	Purchase	T-1 3/4	BOX
HLMP-47009.MP6	Full Production	\$0.149	Purchase	T-1 3/4	BOX
HLMP-4700.A6R0	Full Production	\$0.058	Purchase	T-1 3/4	BOX
HLMP-4700.A3R0	Full Production	\$0.058	Purchase	T-1 3/4	BOX
HLMP-4700	Full Production	\$0.051	Purchase	T-1 3/4	BOX
HLMP-4700.A4R0	Full Production	\$0.058	Purchase	T-1 3/4	BOX
HLMP-4700.A5R0	Full Production	\$0.058	Purchase	T-1 3/4	BOX

* Fairchild 1,000 piece Budgetary Pricing

[back to top](#)

[Home](#) | [Find products](#) | [Technical information](#) | [Buy products](#) | [Support](#) | [Company](#) | [Contact us](#) | [Site index](#) | [Privacy policy](#)

© Copyright 2002 Fairchild Semiconductor

Fairchild Semiconductor

SEARCH | [Parametric](#) | [Cross Reference](#) | [Inventory](#)
[space](#) [Product Folders and](#) [Applie](#)

[find products](#) [Home >> Find products >>](#)

- [Products groups](#)
- [Analog and Mixed](#)
- [Signal](#)
- [Discrete](#)
- [Interface](#)
- [Logic](#)
- [Microcontrollers](#)
- [Non-Volatile](#)
- [Memory](#)
- [Optoelectronics](#)
- [Markets and applications](#)
- [New products](#)
- [Product selection and parametric search](#)
- [Cross-reference search](#)

HLMP-4719
Super Yellow Super Bright AllnGaP T-1 3/4 (5 mm) Low Current LED Lamp - Tinted & Diffused

Contents
[General description](#) | [Features](#) | [Testing conditions](#) | [Product status/pricing/packaging](#)

General description

The T-1 3/4 HLMP-47XX series and T-100 HLMP-17XX series are tinted diffused, providing a moderate viewing angle. These parts are optimized for low current and are brighter than the standard LED lamps operated at very low current.

Datasheet
[Download this datasheet](#)
[PDF](#)

[e-mail this datasheet](#)
[\[E-\]](#)

This page
[Print version](#)

Related Links

- [Request samples](#)
- [Dotted line](#)
- [How to order products](#)
- [Dotted line](#)
- [Product Change Notices \(PCNs\)](#)
- [Dotted line](#)
- [Support](#)
- [Dotted line](#)
- [Distributor and field sales representatives](#)
- [Dotted line](#)
- [Quality and reliability](#)
- [Dotted line](#)
- [Design tools](#)

- [technical information](#)
- [buy products](#)
- [technical support](#)
- [my Fairchild](#)
- [company](#)

[back to top](#)

Features

- Low power consumption (low current drive at 2 mA)
- Solid state reliability
- Tinted and diffused

[back to top](#)

Testing conditions

- $V_F @ I_F = 2 \text{ mA}; I_V @ I_F = 2 \text{ mA}$

[back to top](#)

Product status/pricing/packaging

Product	Product status	Pricing*	Inventory check & ordering	Package type	Packing method
HLMP-47199.MP8	Full Production	\$0.62	Purchase	T-1 3/4	BOX
HLMP-4719.A5R0	Full Production	\$0.058	Purchase	T-1 3/4	BOX
HLMP-47199.MP8B	Full Production	\$0.62	Purchase	T-1 3/4	BOX
HLMP-47199.MP8A	Full Production	\$0.62	Purchase	T-1 3/4	BOX
HLMP-47199.MP7	Full Production	\$0.149	Purchase	T-1 3/4	BOX
HLMP-4719.A3R0	Full Production	\$0.058	Purchase	T-1 3/4	BOX
HLMP-47199.MP6	Full Production	\$0.149	Purchase	T-1 3/4	BOX
HLMP-4719	Full Production	\$0.051	Purchase	T-1 3/4	BOX
HLMP-47199.MP5	Full Production	\$0.149	Purchase	T-1 3/4	BOX
HLMP-47199.MP93	Full Production	\$0.334	Purchase	T-1 3/4	BOX

* Fairchild 1,000 piece Budgetary Pricing

[back to top](#)

[Home](#) | [Find products](#) | [Technical information](#) | [Buy products](#) | [Support](#) | [Company](#) | [Contact us](#) | [Site index](#) | [Privacy policy](#)

© Copyright 2002 Fairchild Semiconductor

Fairchild Semiconductor

SEARCH | [Parametric](#) | [Cross Reference](#) | [Inventory](#)

[space](#)

[Product Folders and](#)

[Applies](#)

[find products](#)

[Home >> Find products >>](#)

[Products groups](#)

[Analog and Mixed](#)

[Signal](#)

[Discrete](#)

[Interface](#)

[Logic](#)

[Microcontrollers](#)

[Non-Volatile](#)

[Memory](#)

[Optoelectronics](#)

[Markets and](#)

[applications](#)

[New products](#)

[Product selection and](#)

[parametric search](#)

[Cross-reference](#)

[search](#)

HLMP-4740

High Efficiency Red Water Clear Subminiature T-3/4 LED

Contents

[General description](#) | [Features](#) | [Testing conditions](#) | [Product status/pricing/packaging](#)

General description

The T-1 3/4 HLMP-47XX series and T-100 HLMP-17XX series are tinted diffused, providing a moderate viewing angle. These parts are optimized for low current and are brighter than the standard LED lamps operated at very low current.

Datasheet

[Download this datasheet](#)

[PDF](#)

[e-mail this datasheet](#)

[\[E-\]](#)

This page

[Print version](#)

Related Links

[Request samples](#)

[Dotted line](#)

[How to order products](#)

[Dotted line](#)

[Product Change Notices](#)

[\(PCNs\)](#)

[Dotted line](#)

[Support](#)

[Dotted line](#)

[Distributor and field sales](#)

[representatives](#)

[Dotted line](#)

[Quality and reliability](#)

[Dotted line](#)

[Design tools](#)

[technical information](#)

[buy products](#)

[technical support](#)

[my Fairchild](#)

[company](#)

[back to top](#)

Features

- Low power consumption (low current drive at 2 mA)
- Solid state reliability
- Tinted and diffused

[back to top](#)

Testing conditions

- $V_F @ I_F = 2 \text{ mA}; I_V @ I_F = 2 \text{ mA}$

[back to top](#)

Product status/pricing/packaging

Product	Product status	Pricing*	Inventory check & ordering	Package type	Packing method
HLMP-47409.MP8A	Full Production	\$0.62	Purchase	T-1 3/4	BOX
HLMP-47409.MP8B	Full Production	\$0.62	Purchase	T-1 3/4	BOX
HLMP-4740.A3R0	Full Production	\$0.058	Purchase	T-1 3/4	BOX
HLMP-47409.MP7	Full Production	\$0.149	Purchase	T-1 3/4	BOX
HLMP-4740.A4A0	Full Production	\$0.058	Purchase	T-1 3/4	BOX
HLMP-4740	Full Production	\$0.051	Purchase	T-1 3/4	BOX
HLMP-47409.MP5	Full Production	\$0.149	Purchase	T-1 3/4	BOX
HLMP-47409.MP6	Full Production	\$0.149	Purchase	T-1 3/4	BOX
HLMP-47409.MP8	Full Production	\$0.62	Purchase	T-1 3/4	BOX
HLMP47409.MP8B3	Full Production	N/A	Purchase	N/A	BOX
HLMP-47409.MP94	Full Production	\$0.316	Purchase	T-1 3/4	BOX
HLMP-4740.A6R0	Full Production	\$0.058	Purchase	T-1 3/4	BOX

* Fairchild 1,000 piece Budgetary Pricing

[back to top](#)

[Home](#) | [Find products](#) | [Technical information](#) | [Buy products](#) |
[Support](#) | [Company](#) | [Contact us](#) | [Site index](#) | [Privacy policy](#)

© Copyright 2002 Fairchild Semiconductor